

# TECHNICAL DATASHEET



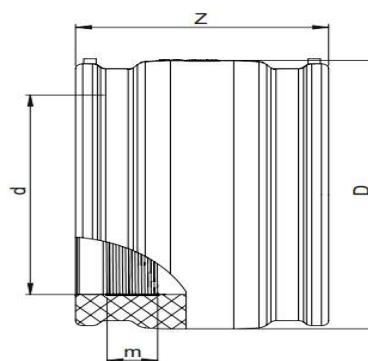
## EF COUPLER

04 Update - 06/2023

### TECHNICAL DATA

Article No	109 117 2160 1200
d (mm)	1200
D (mm)	1483
Z (mm)	650
m (mm)	
Weight (Kg)	285,40
Box Quantity (pcs)	1
Box Dimension (cm)	

### INJECTION MOULDED



### IDENTIFICATION OF PRODUCT

D(mm)	1200
SDR	11
RAW MATERIAL	PE 100
PRESSURE CLASS	16 Bar Water 10 Bar Gas
TRADEMARK	NTG
EXECUTION	Injection Moulded
STANDARD	EN 12201-3 EN 1555-3 AS / NZS 4129
SPECIFICATION	Suitable for SDR11.....13,6 pipe 4 mm pin connectors Bifilar welding zone

### EF SPECIFICATION

WELDING VOLTAGE	40 V
RESISTANCE	0,510 $\Omega$
WELDING TIME	5940 Sec.
COOLING TIME	90 Min.
WINDING TYPE	Bifilar
WELDING BARCODE	

Tolerance on diameters and thickness according to the standards. The other dimensions are specialized. Tolerance  $\pm 5\%$ . NTG PLASTIK reserves all the right to change any information without giving prior notice. The production, distribution and utilization of this document without explicit authorization is prohibited.